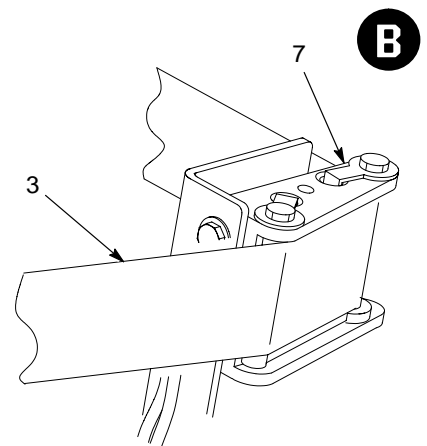
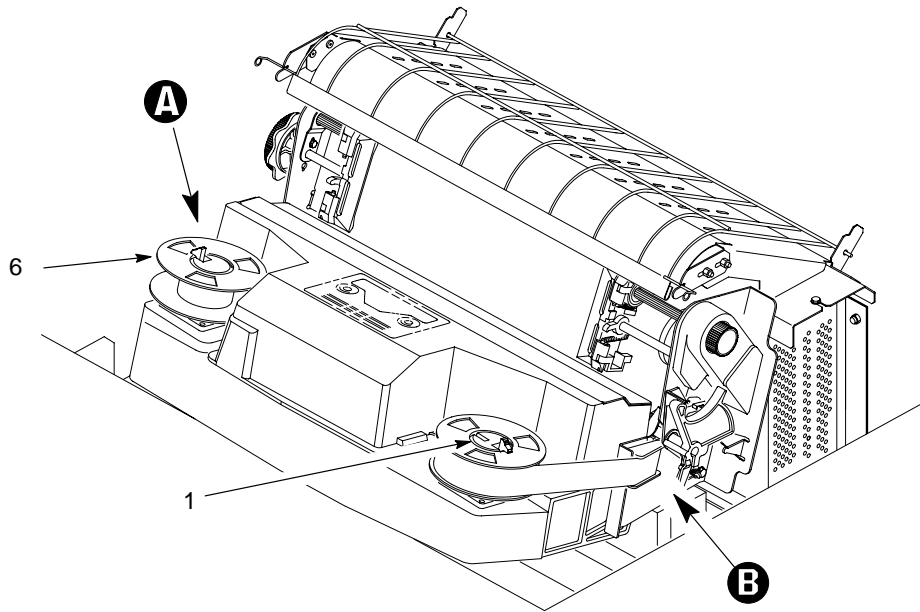
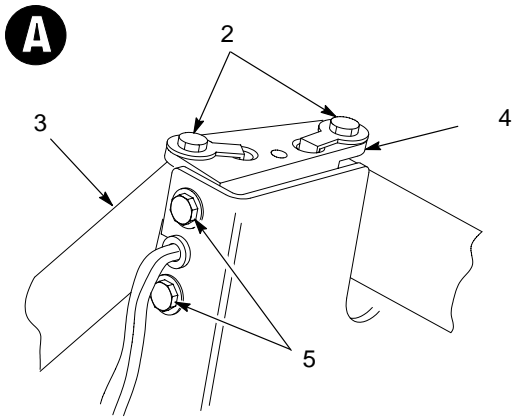


## Ribbon Guide Alignment (Figure 4–9 )

---

1. Open the printer cover.
2. Load paper and install the ribbon. To adjust the left ribbon guide, the ribbon should have a full spool on the right hub (1).
3. Run a shuttle and ribbon diagnostic self-test (page 3–27).
4. To adjust the left ribbon guide, momentarily short between the left ribbon guide skid screws (2) to assure right to left motion of the ribbon.
5. Observe how the ribbon (3) is passing around the left ribbon guide (4). It should be centered and not folding against either of the two white nylon washers.
6. If the ribbon is not centered, loosen the retaining screws (5) just enough so that the ribbon guide (4) can be rotated to new positions, but remains in place once moved.
7. Rotate the ribbon guide (4) as necessary to center the ribbon (3).
8. Observe how the ribbon (3) is winding on the left spool (6). Reposition the ribbon guide (4) as necessary to allow the ribbon to wind up without interfering with the flange of the spool.
9. Tighten the screws (5).
10. Allow most of the ribbon to accumulate on the left spool (6). Repeat steps 3 through 9 for the right ribbon guide (7).



- 1. Right Hub
- 2. Screw, Left Ribbon Guide Skid (2)
- 3. Ribbon
- 4. Ribbon Guide, Left
- 5. Screw, Retaining (2)
- 6. Left Spool
- 7. Ribbon Guide, Right

**Figure 4-9 . Ribbon Guide Alignment**