

5–14. Ribbon Guide Alignment (Figure 5–10)

1. Open cover (1).
2. Verify paper and ribbon are installed. Ribbon should have full spool on right hub (2).
3. Run a repeating test pattern.
4. Momentarily short between left ribbon guide skid screws (3) to assure right to left motion of ribbon.
5. Observe how ribbon (4) is passing through left guide (5). It should be centered.
6. If ribbon is not centered, loosen retaining screws (6) just enough that guide (5) can be forced to new positions but otherwise remains in place.
7. Reposition guide (5) as necessary to center ribbon (4).
8. Observe how ribbon (4) is winding on left spool (7). Reposition guide (5) as necessary to allow ribbon to wind up without interference.
9. Tighten screws (6).
10. Allow most of ribbon to accumulate on left spool (7). Repeat 3 through 9 for right guide (8).

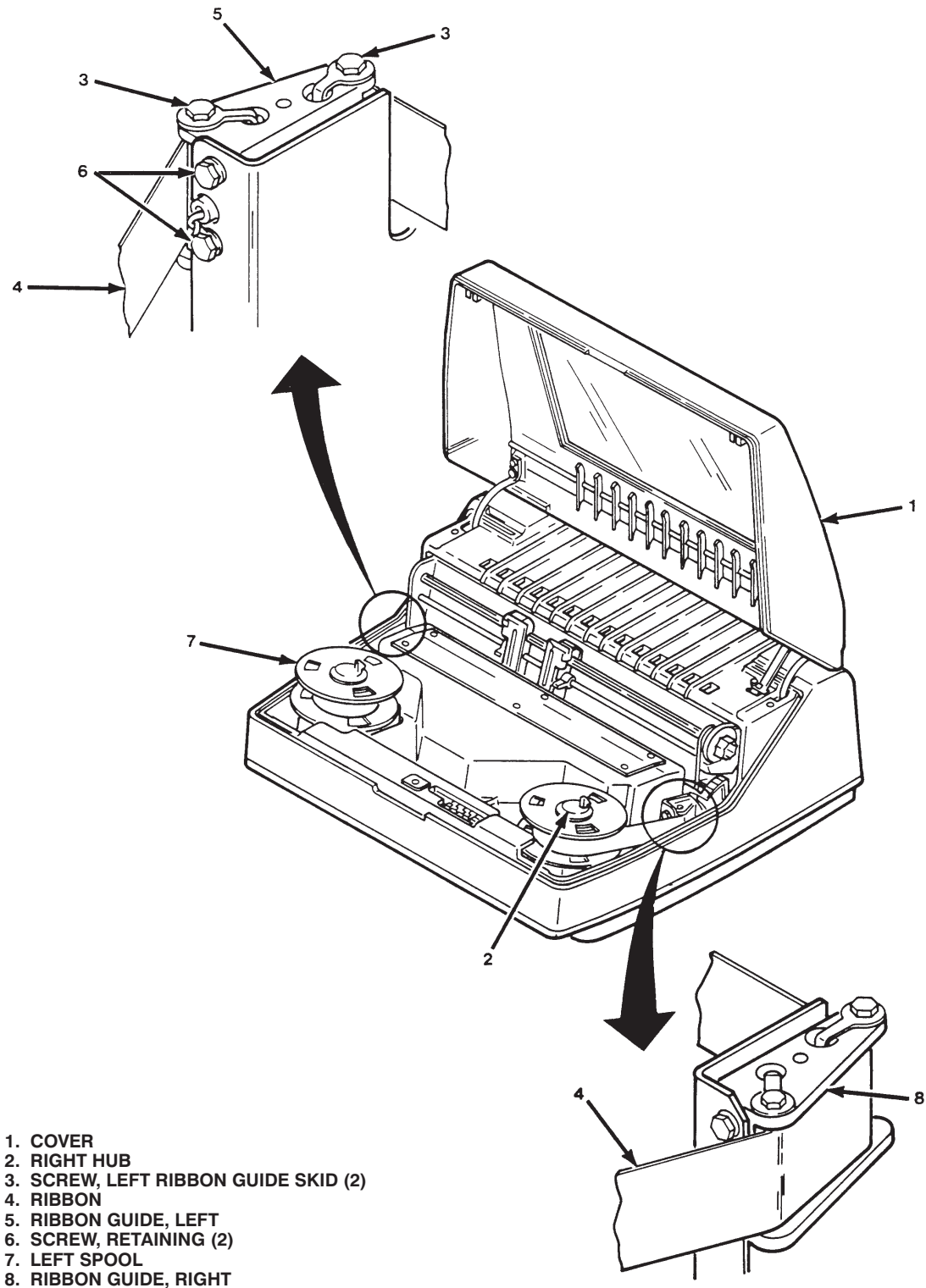


Figure 5-10. Ribbon Guide Alignment